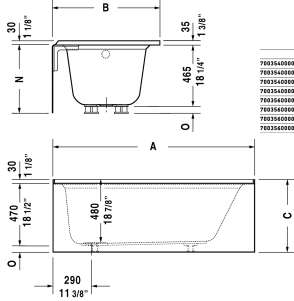
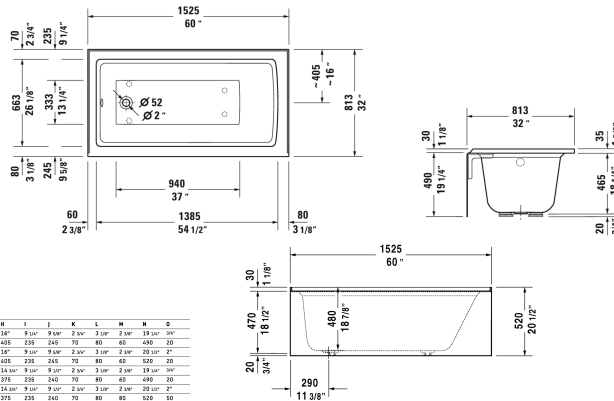


**Architec Bathtub with panel height 19 1/4" # 70035400000090**

| < 60" Inch > |



	A	B	C	D	E	F	G	H	I	J	K	L	M	N	O
70035400000090	60"	22 1/4"	20 1/2"	54 1/2"	28 1/4"	37"	13 1/4"	18"	9 1/4"	9 1/4"	2 1/4"	3 1/4"	2 1/4"	19 1/4"	30"
70035400000099	55"	21 1/4"	19 1/2"	54 1/2"	26 1/4"	37"	13 1/4"	18"	9 1/4"	9 1/4"	2 1/4"	3 1/4"	2 1/4"	19 1/4"	29"
70035400000091	50"	20 1/4"	18 1/2"	54 1/2"	24 1/4"	37"	13 1/4"	18"	9 1/4"	9 1/4"	2 1/4"	3 1/4"	2 1/4"	19 1/4"	28"
70035400000092	45"	19 1/4"	17 1/2"	54 1/2"	22 1/4"	37"	13 1/4"	18"	9 1/4"	9 1/4"	2 1/4"	3 1/4"	2 1/4"	19 1/4"	27"
70035400000093	40"	18 1/4"	16 1/2"	54 1/2"	20 1/4"	37"	13 1/4"	18"	9 1/4"	9 1/4"	2 1/4"	3 1/4"	2 1/4"	19 1/4"	26"
70035400000094	35"	17 1/4"	15 1/2"	54 1/2"	18 1/4"	37"	13 1/4"	18"	9 1/4"	9 1/4"	2 1/4"	3 1/4"	2 1/4"	19 1/4"	25"
70035400000095	30"	16 1/4"	14 1/2"	54 1/2"	16 1/4"	37"	13 1/4"	18"	9 1/4"	9 1/4"	2 1/4"	3 1/4"	2 1/4"	19 1/4"	24"
70035400000096	25"	15 1/4"	13 1/2"	54 1/2"	14 1/4"	37"	13 1/4"	18"	9 1/4"	9 1/4"	2 1/4"	3 1/4"	2 1/4"	19 1/4"	23"
70035400000097	20"	14 1/4"	12 1/2"	54 1/2"	12 1/4"	37"	13 1/4"	18"	9 1/4"	9 1/4"	2 1/4"	3 1/4"	2 1/4"	19 1/4"	22"
70035400000098	15"	13 1/4"	11 1/2"	54 1/2"	10 1/4"	37"	13 1/4"	18"	9 1/4"	9 1/4"	2 1/4"	3 1/4"	2 1/4"	19 1/4"	21"
70035400000099	10"	12 1/4"	10 1/2"	54 1/2"	8 1/4"	37"	13 1/4"	18"	9 1/4"	9 1/4"	2 1/4"	3 1/4"	2 1/4"	19 1/4"	20"

Bathtub with panel height 19 1/4"	Dimension	Weight	Order number
rectangle, with integrated panel and flange, flange clips, tub feet, drain left, cUPC® listed*, Sanitary acrylic, Filling capacity 34 gal			
<b>Colors</b>			
00 White			
<b>Variant</b>			
Base tub	60" x 32" Inch	95 lb	70035400000090
<b>Infobox</b>			
* Complies with the following standards: CSA B45.5/IAPMO Z124			
<b>Suitable products</b>			
Waste and overflow plastic, Chrome trim,			791224
Flange clips 6 pcs., (included), for Architec bathtubs with integrated panel (height 19 1/4") and flange,			790160
Tub feet 4 pieces, (included), for Architec bathtubs with integrated panel (height 19 1/4") and flange,			790161
Chromed cover fits waste and overflow # 791255,			791225
Waste and overflow brass, Chrome trim,			791255

All drawings contain the necessary measurements which are subject to standard tolerances. They are stated in inch & mm and are non-

**Architec Bathtub with panel height 19 1/4" #**  
**700354000000090**

---

|< 60" Inch >|

*binding. Exact measurements, in particular for customized installation scenarios, can only be taken from the finished ceramic piece.*