

### Features

- Safeguard® slip-resistant surface on bath floor provides additional traction underfoot.
- 60"L x 30-1/4"W x 14"H.
- Integral apron for quick installation.
- KOHLER® enameled cast iron.
- Integral lumbar support.
- Integral apron.

### Installation

- Alcove.
- Left drain.
- Integral flange.

### Recommended Products/Accessories

K-1491 Bath/Whirlpool Pillow  
K-1601 Bath/whirlpool footstop, removable  
K-7160-TF 1-1/2" adjustable pop-up drain  
K-7213 27" Cable Bath Drain  
K-7214 27" Cable Bath Drain  
K-702200-G73 Frameless Sliding Bath Door  
K-702200-L Frameless Sliding Bath Door  
K-706000-D3 Frameless Sliding Bath Door  
K-706000-L 62" H sliding bath door with 1/4" - thick glass  
K-706003-L Frameless Sliding Bath Door  
K-706004-D3 Frameless Sliding Bath Door  
K-706004-L Frameless Sliding Bath Door  
K-706007-L Frameless Sliding Bath Door  
K-702200-6L 58" H sliding bath door with 1/4" - thick glass  
K-23726 Drain treatment  
K-23725 Cast iron cleaner



ADA

### Codes/Standards

ASME A112.19.1/CSA B45.2  
ASTM F462  
ADA  
ICC/ANSI A117.1



### KOHLER® Enameled Cast Iron Bath and Shower Base Lifetime Limited Warranty

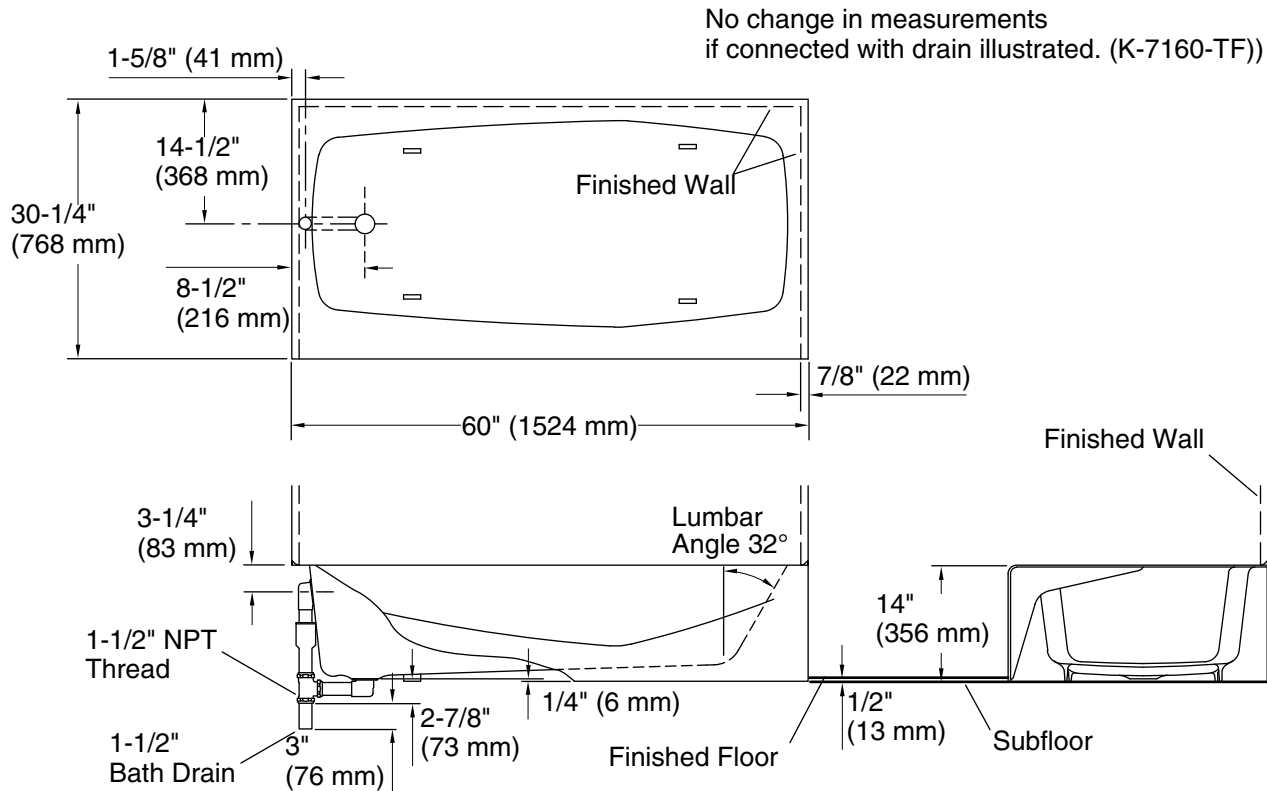
See website for detailed warranty information.

### Available Colors/Finishes

*Color tiles intended for reference only.*

Color	Code	Description
-------	------	-------------

	0	White
	96	Biscuit



## Technical Information

All product dimensions are nominal.

Installation:	Three-wall alcove
Drain location:	Left
Basin area, bottom:	45" x 22" (1143 mm x 559 mm)
Basin area, top:	55" x 24" (1397 mm x 610 mm)
Weight:	316 lbs (143.3 kg)
Minimum floor load:	49 lbs/ft <sup>2</sup> (239.2 kg/m <sup>2</sup> )
Water depth:	8-5/8" (219 mm)
Water capacity:	33 gal (124.9 L)
Minimum flat for door:	2-1/2" (64 mm)

## Notes

Measure your actual product for rough-in details.

Install this product according to the installation instructions.

The hot water supply should be 70% of the capacity of the bath or greater. Installations will vary.

ADA compliant when installed to the specific requirements of these regulations.