

# GN-58

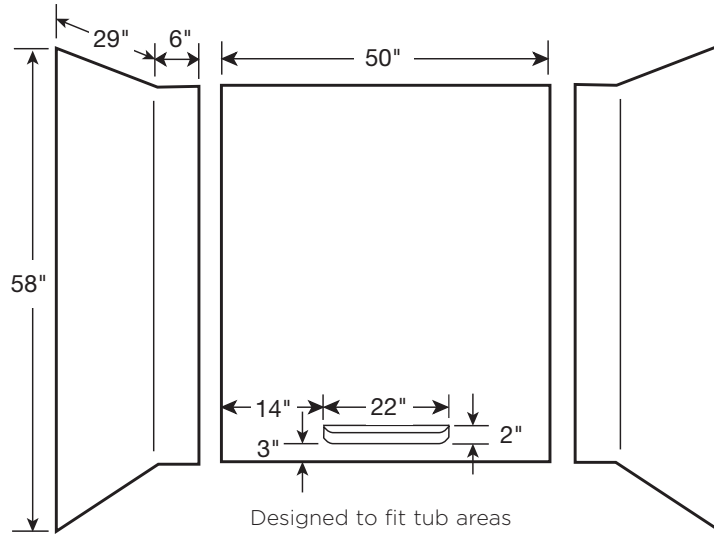
Veritek® Bath Wall Kit



Manufactured from Veritek®

## FEATURES

- Will not mold or mildew, no grout to clean.
- Ideal for both remodeling projects and new construction.
- Meets ADA guidelines for soap shelf height and grab bar installation.
- Affordable wall system made of Veritek® with no surface coating to chip or crack—color runs throughout.
- The GN-58 is a glue-up three piece compression-molded composite with molded-in color and a natural gloss surface.
- Warranty: Limited Lifetime - Residential  
Limited 5-year - Commercial



Designed to fit tub areas  
30" deep x 60" wide or smaller x 58" high  
(762 mm x 1524 mm x 1473 mm)

## SPECIFICATIONS

Model	Part	Ship Wt. Lb.	Carton Dims. In.	Cu. Ft.
GN-58	GN58000	57	61 x 61 x 6	12.92

**Kit Includes:** One back panel with molded-in soap shelf, two end panels.  
**Packaging:** Each kit is packed in a flat, rectangular carton.

## COLORS

- Solid Colors:**
- White (010)
  - Bisque (018)
  - Bone (037)

## MAINTENANCE AND CLEANING INFORMATION

Clean regularly with common household liquid cleaners and a sponge or soft cloth. For hard water stains, scale removers can be used. To protect finish, fiberglass wax or automotive paste wax can be applied. **Do not** use abrasive cleaners or scouring pads. **Do not** use "leave on" cleaning products, such as automatic spray shower cleaners. Prolonged contact with harsh chemicals could have an adverse reaction over time and discolor surfaces. **Do not** use cleaning agents that caution use on acrylic, polyester or plastics.

## SUPPORT DOCUMENTS

Installation instructions available at [swanstone.com](http://swanstone.com).

**MADE IN USA**